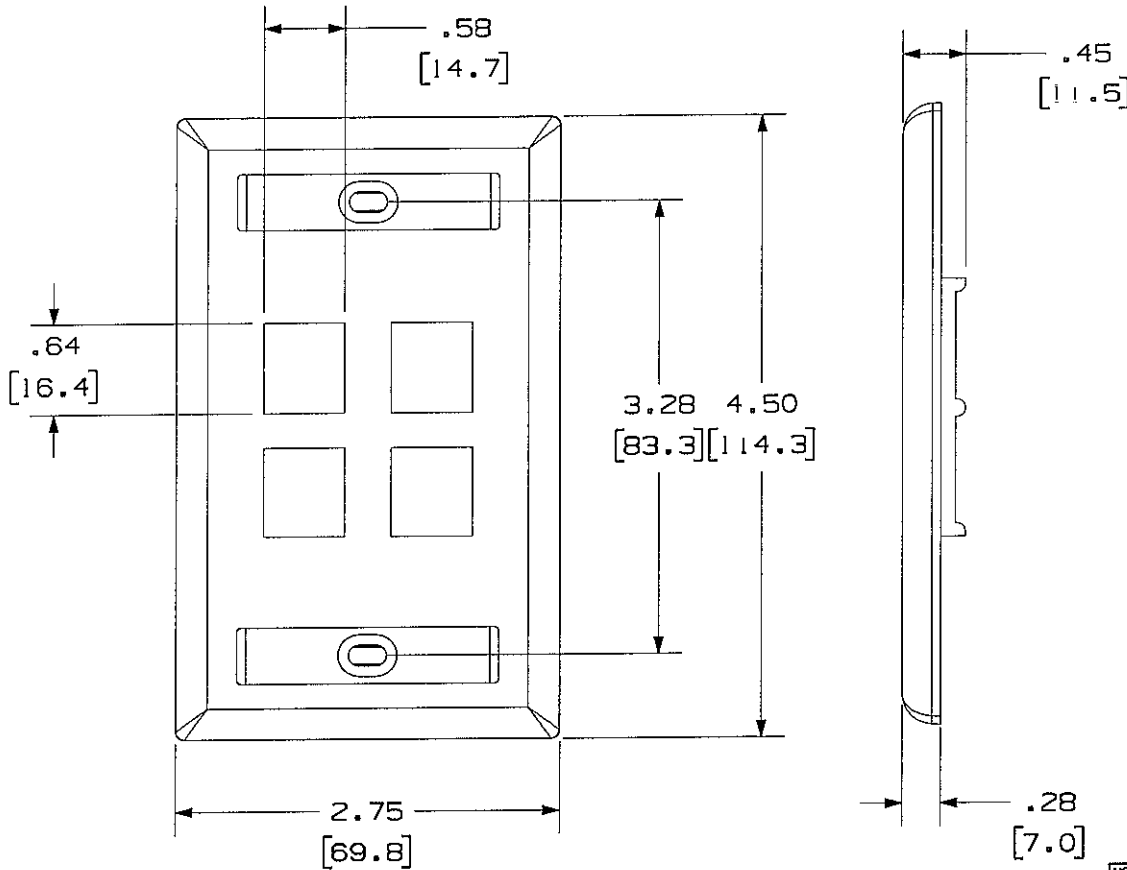


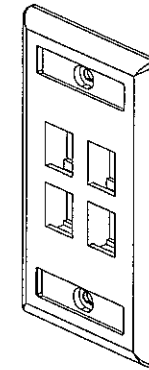
THIS COPY IS PROVIDED ON A RESTRICTED BASIS AND IS NOT TO BE USED IN ANY WAY DETRIMENTAL TO THE INTERESTS OF PANDUIT CORP.

PANDUIT P/N	WEIGHT
NK4F**Y	.50 LB/10 PCS (229 g/10 PCS)



NOTES:

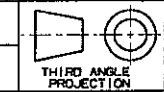
- SEE CURRENT CATALOG FOR ADDITIONAL PART SUFFIXES TO INDICATE COLOR AND OR PACKAGE QUANTITY.
- FACEPLATE WILL ACCEPT FOUR STANDARD NETKEY MODULES.
- PART INCLUDES:
 - i- FACEPLATE
 - 2- MOUNTING SCREW
 - 2- LABEL
 - 2- LABEL COVER
- DIMENSIONS IN () ARE IN METRIC.



MODEL FILENAME	M00661BD_KEYSTONEFP4_01.PRT	SIZE	A
DRAWING FILENAME	M02479BG_DC033_00A.PRT		

NETKEY 4 POSITION SINGLE GANG
FACEPLATE WITH LABEL
CUSTOMER DRAWING

NETWORK SYSTEMS
AUG 18 2006
ENGINEERING DEPT



ALL DIMENSIONS ARE GIVEN IN INCHES, UNLESS OTHERWISE SPECIFIED.
DIMENSIONAL TOLERANCES ARE:
(.X) ±.03 (XXX) ±.005
(.XX) ±.01 ANGLES ± 1°

I.T. NUMBER	N/A
PRODUCT SPEC	N/A
WORK INSTRUCTION	N/A
SCALE	NONE
PART NO.	NK4F**Y
DRAWING NO.	02479-033

REV	DATE	BY	CHK	DESCRIPTION	ECN	R	CUST	SUP	OTH
R	7-29-06	JsP	M/D	RELEASED TO PRODUCTION	02479-033				

DRAWN BY	JsP
DATE	7-29-06
MATERIAL	ABS